



OUTSWING FRAME CROSS SECTIONS

Table of Contents

Horizontal System 01 (1 Door)..... 2

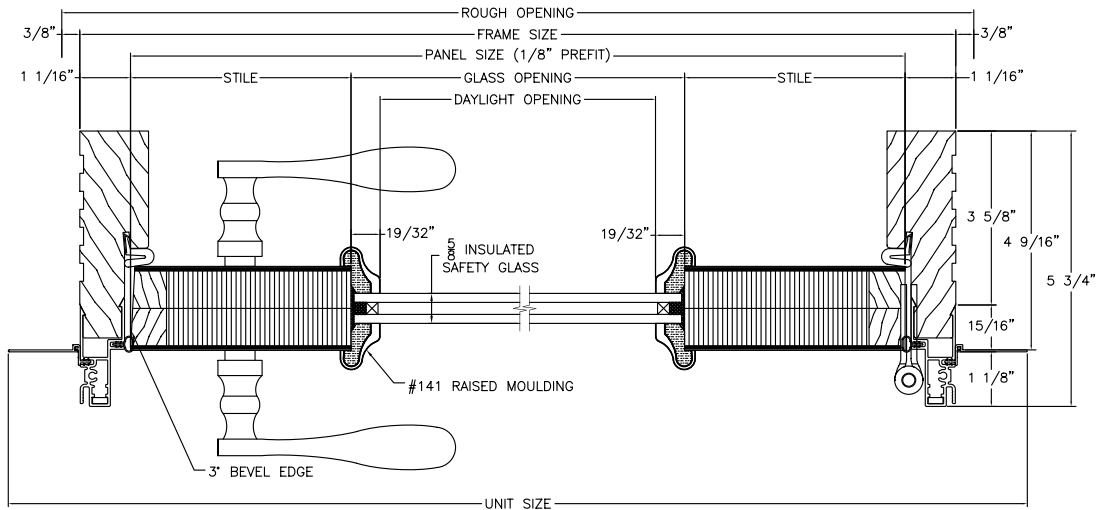
Horizontal System 03 (1 Door, 1 Sidelight).... 3

Horizontal System 04 (1 Door, 2 Sidelights).. 4

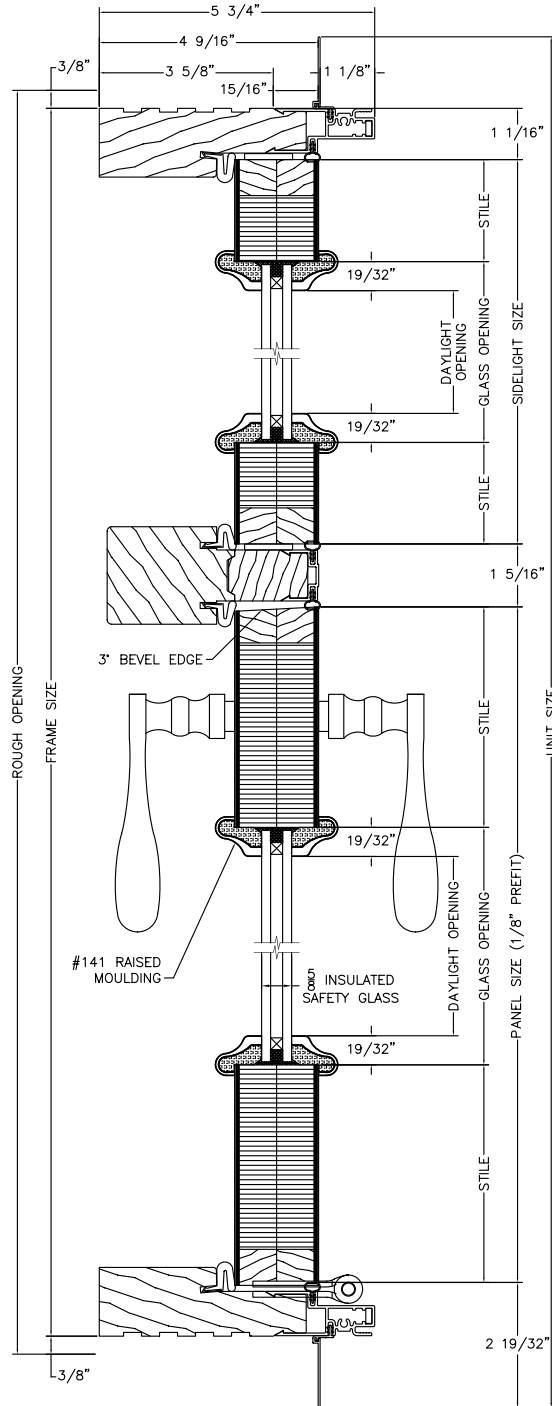
Vertical at Door..... 5

Vertical at Sidelight..... 6

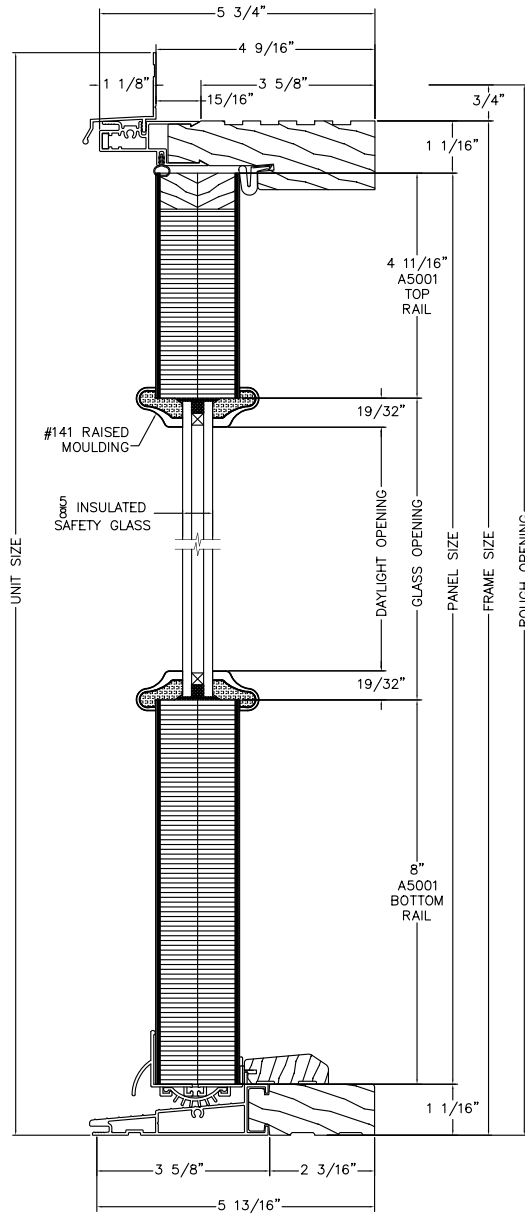
-With A5001 Door-



Horizontal Section
4 9/16" Jamb

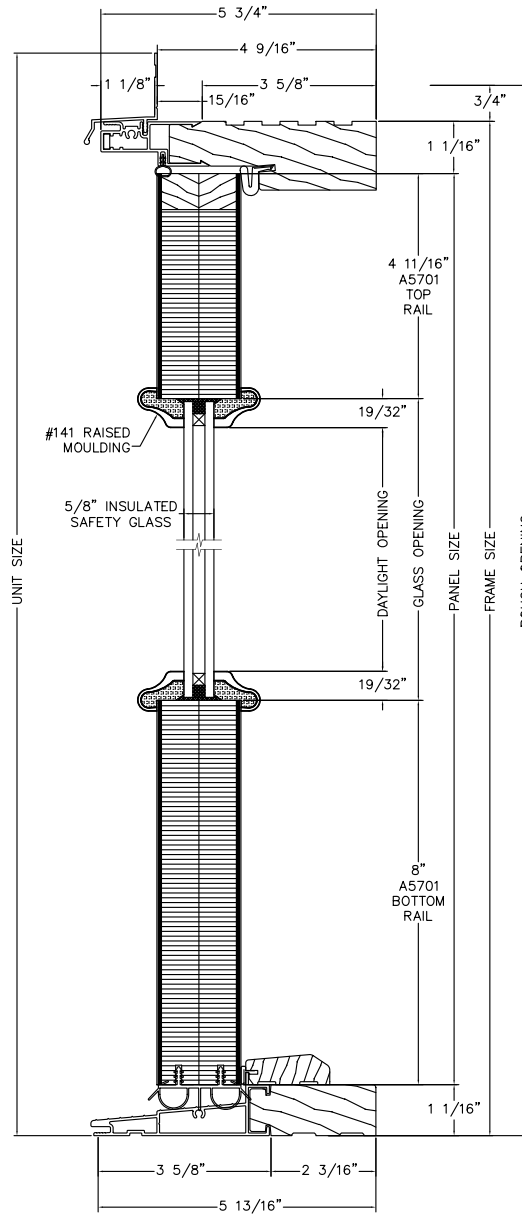


Horizontal Section
4 9/16" Jamb



Vertical Section
4 9/16" Jamb

Vertical Cross Section - OUTSWING
Custom Clad Entry Systems
-With A5701 Sidelight-



Vertical Section at Stationary Sidelight
4 9/16" Jamb